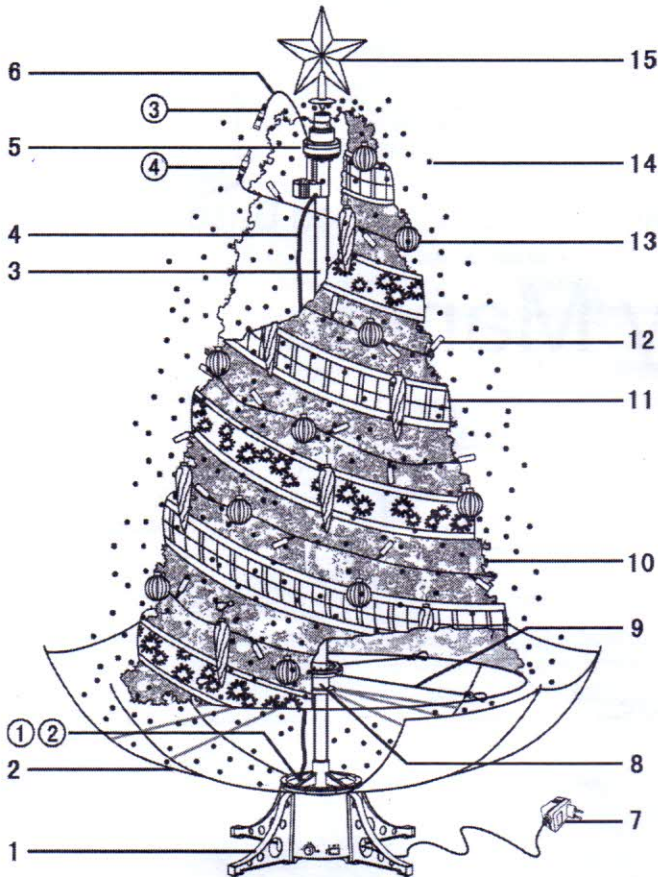


40110U190R

**CAUTION!**

- This products is for indoor use only and not suitable for outdoor or any ventilated place.
- Keep children away from the product to avoid inhalation of snow particles that may cause suffocation.

**I. Schematic diagram**



**II. List of parts**

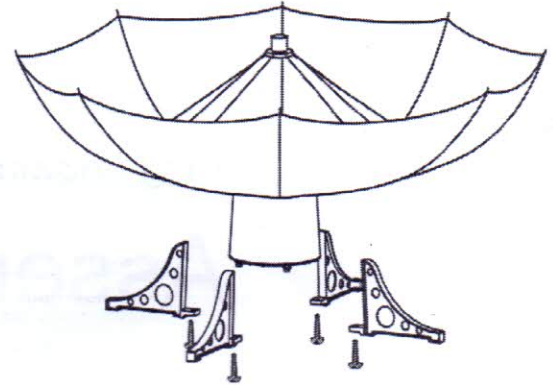
No.	Description	Quantity
1	Base support (screw included)	1 set (4 pcs)
2	Umbrella-shaped base	1 set
3	Tree tube	1 set (2 pcs)
4	Input wire of revolving unit	1 pc
5	Revolving unit	1set
6	Output wire of revolving unit	1 pc
7	Adaptor	1 pc
8	Holder (Combined with umbrella)	1 pc
9	Stabilizer + hooks	1set
10	Folding tree	1set
11	Ribbon	2 pcs (2x6m)
12	LED string	1string

13	Ornaments	1 set
14	Snowflakes	1 bag
15	Top	1 pc
Note: ①②③④ are all wire joints.		4 pc

**III. Installation**

**1. Install base support**

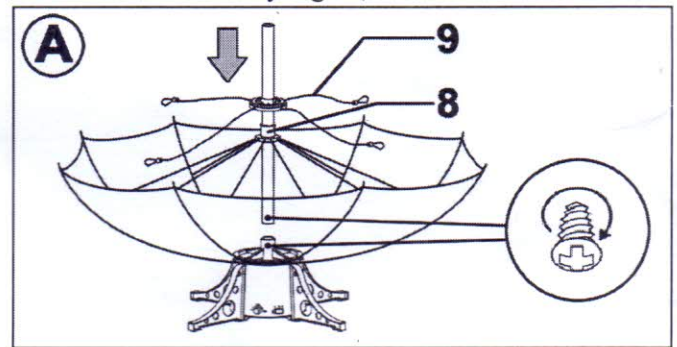
Take out the umbrella-shaped base, base support and fixing screws. Fix the 4 base supports onto the base and then unfold the umbrella-shaped base.



**2. Install the Christmas tree**

Take out two pieces of tree tubes (3), revolving unit (5), input wire of revolving unit(4), output wire of revolving unit (6), stabilizer + hooks(9) and folding tree (10), and assemble the Christmas tree according to the following instructions and figures.

A. See Figure A. Insert the lower tree tube fixed with stabilizer (9) into the support of umbrella-shaped base. Turn the tree tube so that both holes are fully aligned, then fasten it with a screw;



B. See Figure B. Splice upper tree tubes with the sleeve of lower tree tube. Then:

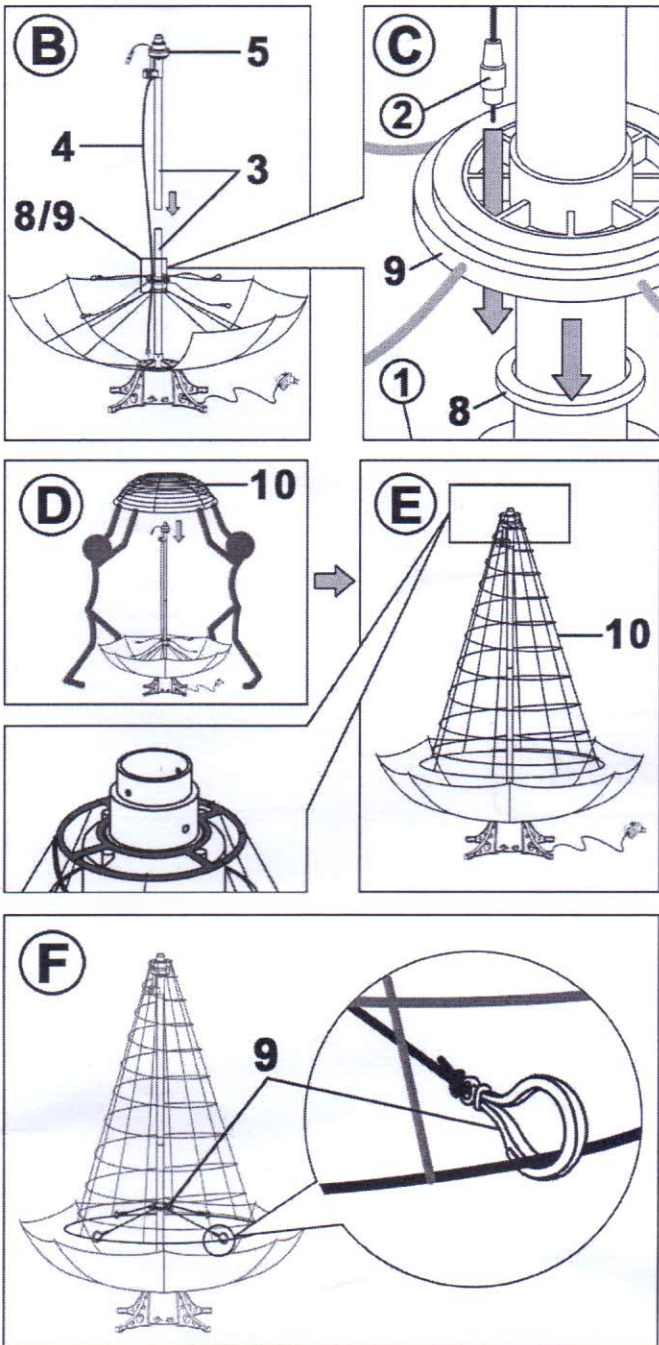
C. See Figure C. Press down the holder (8). Thread the plug ② on the input wire of revolving unit (4) through the hole of stabilizer (9) (Note: This step is very important, be sure no mistake!). Then insert the plug ② in the socket ① in the base.

D. See Figure D. Lift the folding tree (10) over the revolving unit, and then:

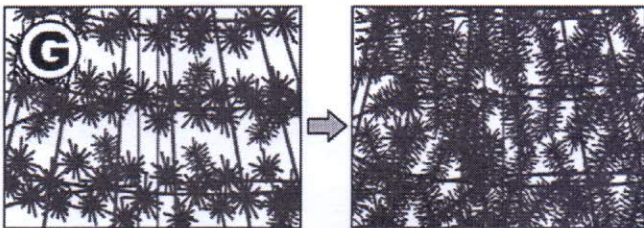
E. See Figure E. Centered the iron loop on the top of the tree on the platform above the revolving unit (4), and make the folding tree droop naturally. Arrange the layers of the spiral tree evenly to get the upright and beautiful tree.



F. See Figure F. Hook the 4 ends of the stabilizer (9) with the loop at the bottom of folding tree to avoid the shaking.



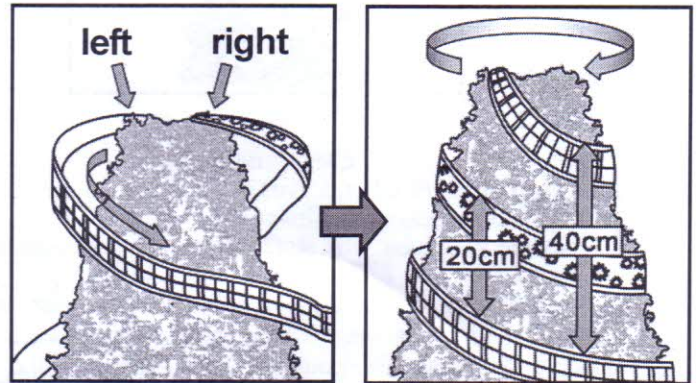
G. Distribute the branches layer by layer to get a good shape.



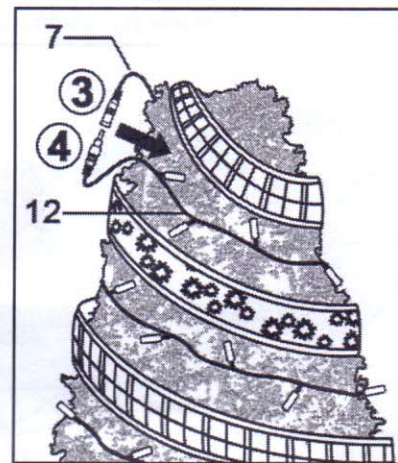
### 3. Decorate the Christmas tree

A. **Bind the ribbon:** Take out two ribbons (6m long respectively) (11), and bind them around the tree in a spiral way. **Note:** the tree will rotate clockwise (viewed from above). In order to create a kinetic effect of the rotation, please bind

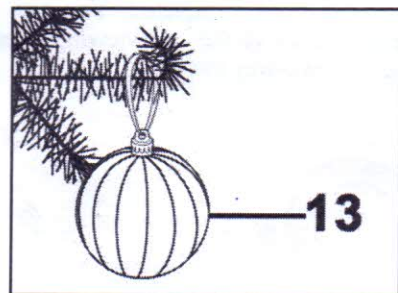
two ribbons respectively in the following methods: First, fix the starting point of one ribbon on the left of the tree top (by the branches), and then, bind it around the tree counterclockwise from top to bottom in an even and modest manner. It is recommended to maintain 40cm layer spacing of the ribbon. The ending point of the ribbon shall be finally fixed on the bottom branches. Again, by the same method, fix the starting point of another ribbon on the right of the tree top, and evenly bind it around the tree. The second ribbon shall be exactly between layers of the first one, with 20cm layer spacing from the first one,



B. **Bind string lights:** Find and carefully draw out the output wire of revolving unit (9) and its wire joint (3) from the interior side of the top. Take out the LED string (12) and well connect its wire joint (4) with the wire joint (3). Then, hide the connector (3) and (4) carefully, and fix it on the interior branches, so as to avoid its entanglement with fixed objects inside the tree.



C. **Fix ornaments:** Take out the ornaments (13) and fix them on the branches. **Note:** They must be properly fixed, as disengaged ornaments during rotation may fall into the umbrella-shaped base to prevent smooth flow of snowflakes.





#### 4. Install the top

Take out the top (15) and fit it on the nozzle on the top of Revolving unit (8). **Note:** The top is designed to rebound the snowflakes, and must be set vertically in the center to prevent snowflakes flying everywhere.

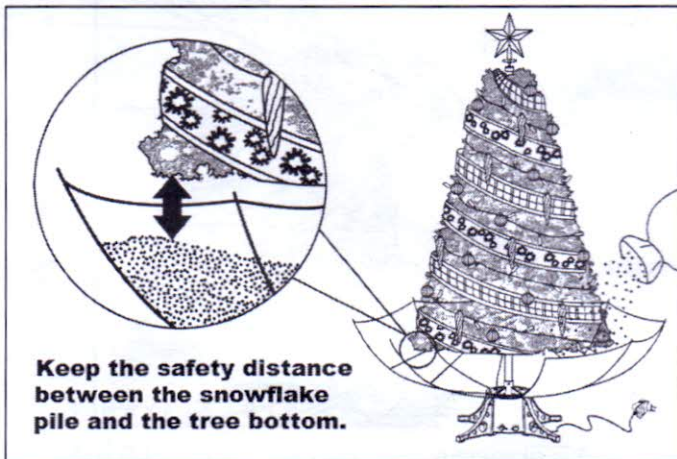


#### 5. Clean and check

- A. Clean off all of fallen leaves and sundries in the base, to prevent them blocking the flow of snowflakes.
- B. Set the switch at "off" state and connect the adaptor to power source.
- C. Test functions: put a small amount of snowflakes at the bottom of umbrella-shaped base, turn on the switch and observe if snowflakes spout out from the top of the tree. Check normal functions of rotation, music and LED string. For any problem, check carefully all the connections and try again, until all functions are realized.

#### 6. Pour in the snowflakes

Turn off the switch. Pour the snowflakes (14) into the funnel-shaped base and distribute it evenly. **Note:** Be sure to keep reasonable distance between the revolving tree and snowflakes pile to avoid the pile prevent the rotation.



#### 7. Complete, adjust and enjoy

Turn on the switch, you will see flying snowflakes, revolving tree and flashing lights, and hear the music. Now all installation has been completed. You can adjust the wind power knob to achieve the best viewing effect, or turn off the music with the two-way switch.



on off on

