


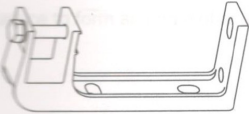
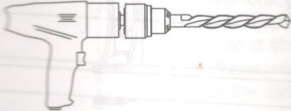


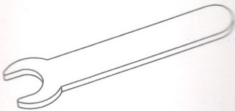


**PART DESCRIPTION / DELIVERY CONTENT**

Description	Illustration	Quantity
Awning		x 1
Swing hand hook		x 1
Expansion bolt		x 4 (BM13000 3x2M) x 6 (BM13000 4x2.5M)
Wall brackets with lock bolt		x 2 (BM13000 3x2M) x 3 (BM13000 4x2.5M)

Please prepare the following tools before installation (not included in the packaging):

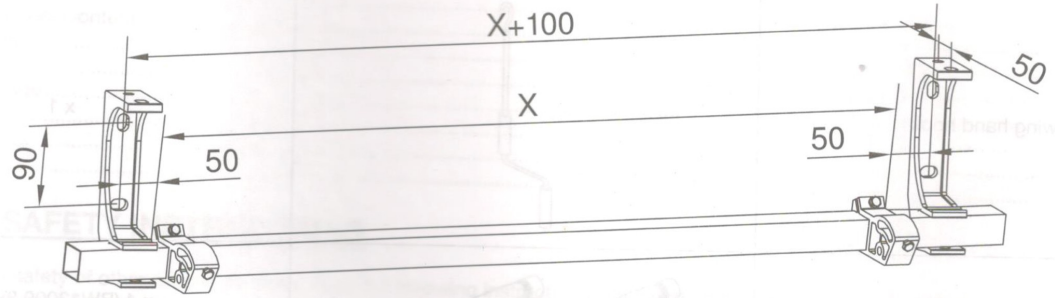
Description	Illustration	Remarks
Power drill		with drilling bit of Ø 12 mm
Tape		
Mallet		
Wrench		wrenches of M10 and M12

# GB Assembly instructions

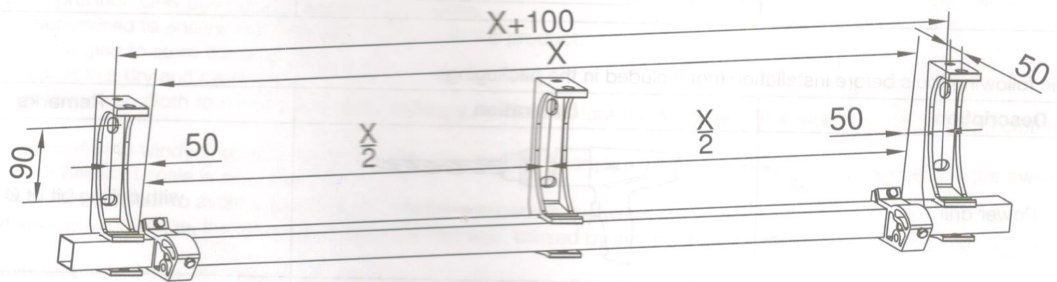
## ASSEMBLY INSTRUCTIONS

①

BW13000 3X2M



BW13000 4X2.5M



### Distance Between Neighboring Wall Brackets

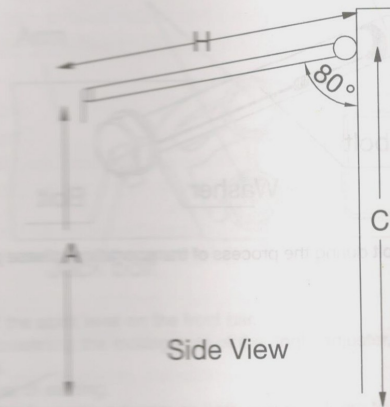
- X represents the distance between the two arm shoulders of the awning.



## GB Assembly instructions

### ASSEMBLY INSTRUCTIONS

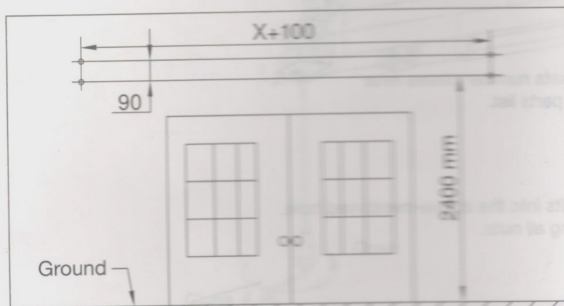
②



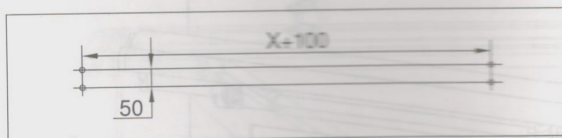
#### Installation Height of Wall Brackets

As shown in the figure, we recommend making the awning surface to form an angle of about 80°C with the wall when it is open.

③



Dimensional drawing for hole on the wall for installing wall bracket.



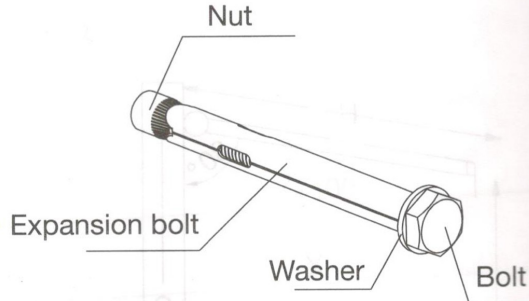
Dimensional drawing for hole on the ceiling for installing wall bracket.

#### Installation of Wall Brackets

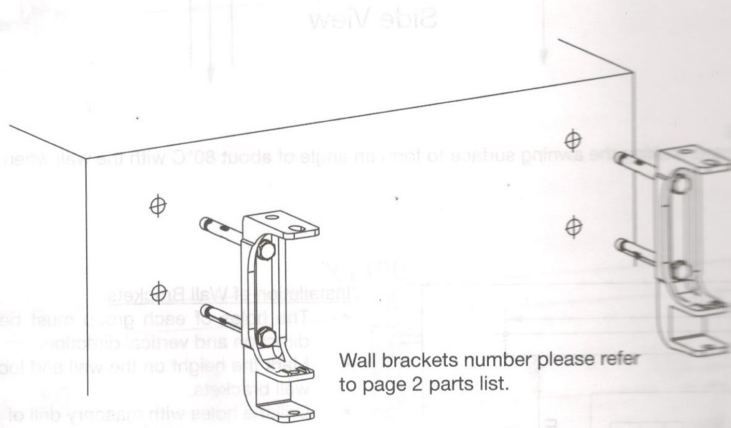
- The holes of each group must be on the same line in transversal direction and vertical direction.
- Mark the height on the wall and locate the drill hole positions for the wall brackets.
- Drill the holes with masonry drill of 12-mm diameter, the depth of the hole is above 110 mm.
- Please note that the depth of the holes shall leave the threaded part of the central bolt protruding from the wall.

# Assembly instructions

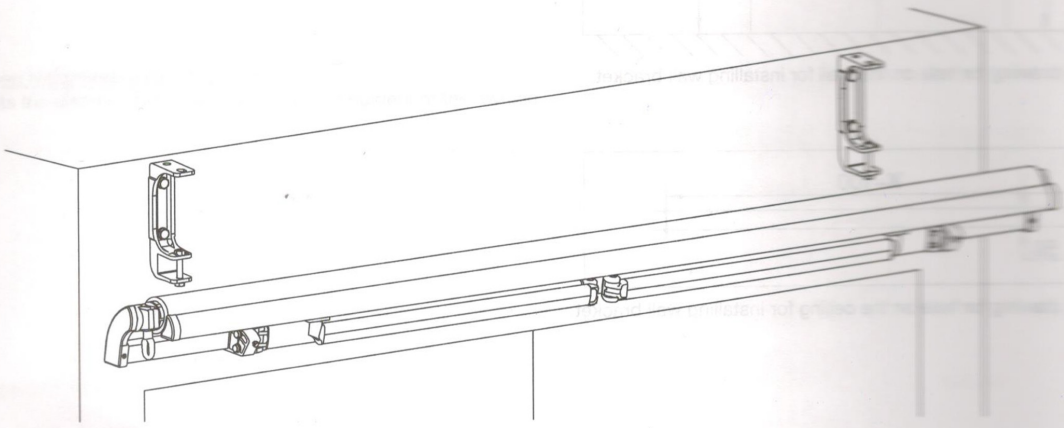
## ASSEMBLY INSTRUCTIONS



The nut and washer might be separated from the bolt during the process of transportation, please put them back into their original positions before using them into the wall during installation.



Put the expansion bolts through the wall bracket, then plug the expansion bolts into the above-mentioned hole. Check and ensure all wall brackets lie on same horizontal line before tightening all nuts.



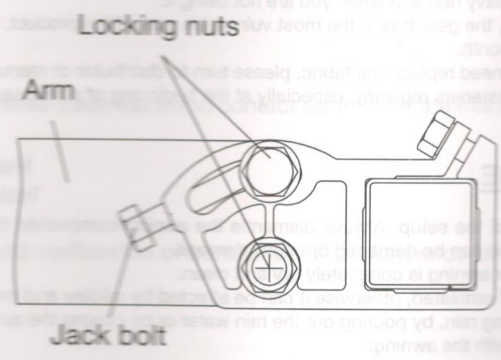
### Attachment of Awning To Wall Brackets

- Remove the bolts on the front of the wall brackets.
- Install the awning to the wall brackets by attaching the square torsion bar to the wall brackets.
- Lock the awning in place by replacing the bolts and nuts on wall brackets.
- Tighten the nuts to ensure the awning is attached to wall brackets securely.

# GB Assembly instructions

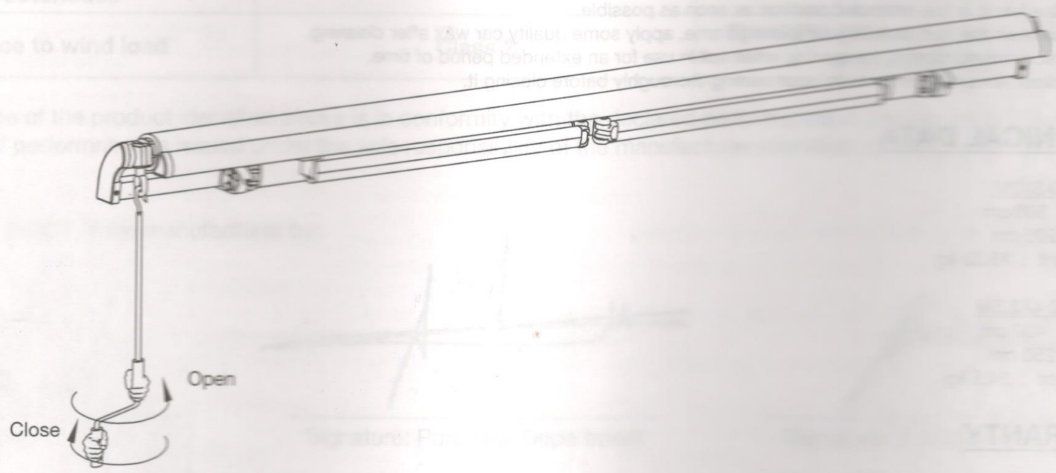
## ASSEMBLY INSTRUCTIONS

7



- Check if the awning is level with the use of the spirit level on the front bar.
- Adjust the angle adjuster at either end by loosening the locking nuts of the angle adjuster, turn the jack bolt to adjust the pitch.
- Adjust the arm until the front profile is level.
- Tighten the locking nuts again to fix the level of awning.
- To adjust the inclination of the awning, adjust the angle adjuster on both arm shoulders to achieve the desired inclination.
- Fix the locking nuts when the awning is level.

8



- Attach the swing handhook to the gear box, swirl the handle to roll and unroll the awning.

